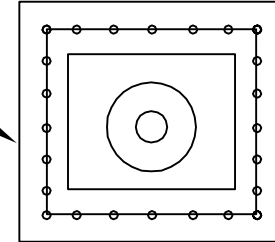
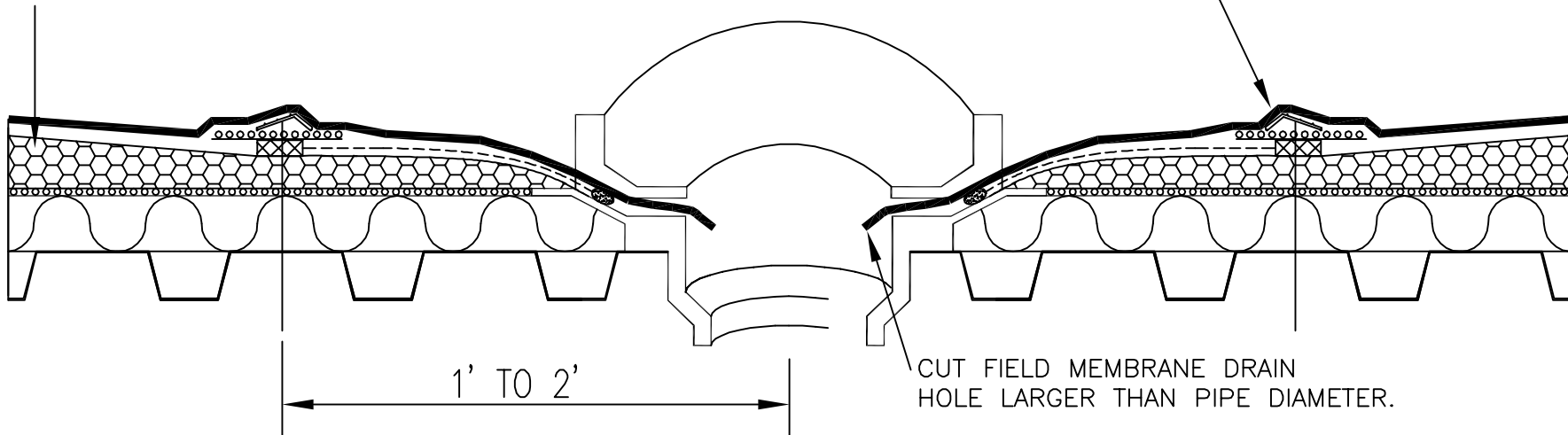


Picture Frame Penetrations or Roof Top units with 9" Cover Tape

9" REINFORCED COVER TAPE UPSIDE DOWN
 PICTURE FRAME MECHANICALLY FASTENED
 WITH TERM. BAR UNDER FIELD MEMBRANE



NEW OR EXISTING SMOOTH SURFACE ADHERED
 BUR OR SINGLE PLY OR URETHANE SPRAY FOAM
 OR INSULATION ADHERED WITH SLOW RISE SPRAY FOAM



CUT FIELD MEMBRANE DRAIN
 HOLE LARGER THAN PIPE DIAMETER.

	Paste Sealant
	Rubber to Rubber
	Bonding Adhesive
	Water Cut-off Mastic

	2001 Term. Bar Tape
	2001 Zip Tape
	Insulation
	2001 Air Seal Rope

TITLE:	
Dwg #:	3FINAL
Rev. Date:	1-6-00
Dwg. Date:	10-5-98
Drawn by:	S.HAFERSAT
Approved by:	.
Scale:	NTS

2001 Company

325 Thomaston Ave.
 P.O. Box 2557
 Waterbury, CT 06702-2557

© Thomas L. Kelly - Patent Pending