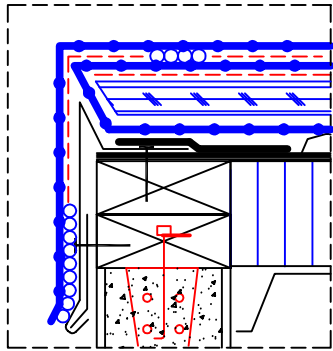
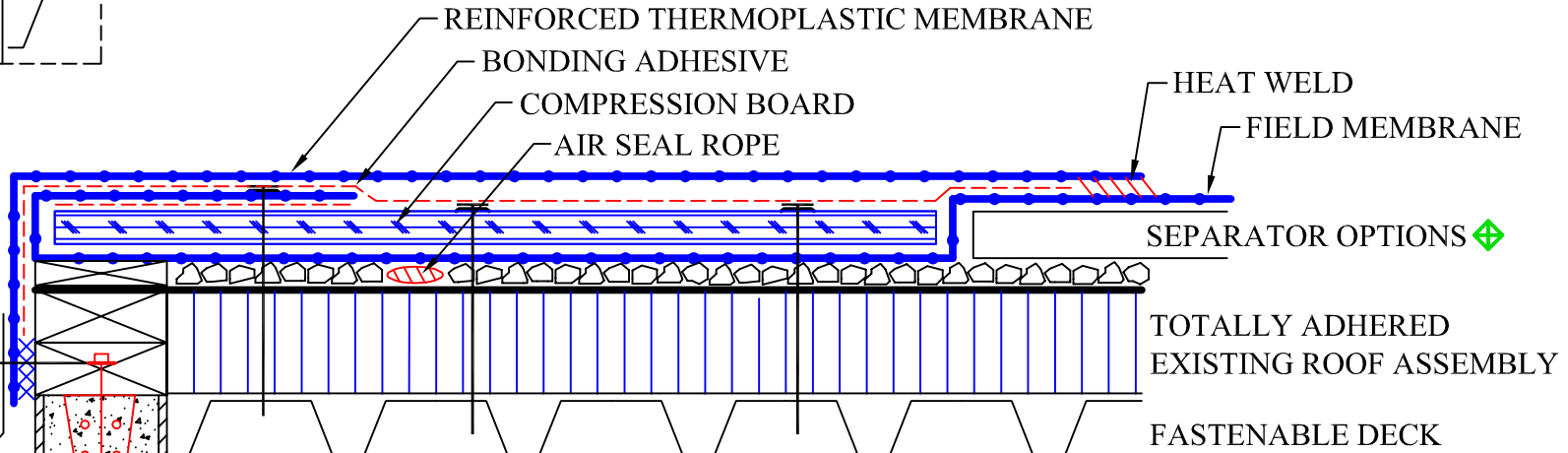


HURRICANE BACKWRAP COMPRESSION BOARD AIR SEAL UP TO 120 MPH WIND RIDER * THERMOPLASTIC MEMBRANE PVC, TPO, ETC



ALTERNATE FINISH
REFASTEN EXISTING
GRAVEL STOP FACE WITH
SCREWS 6" ON CENTER

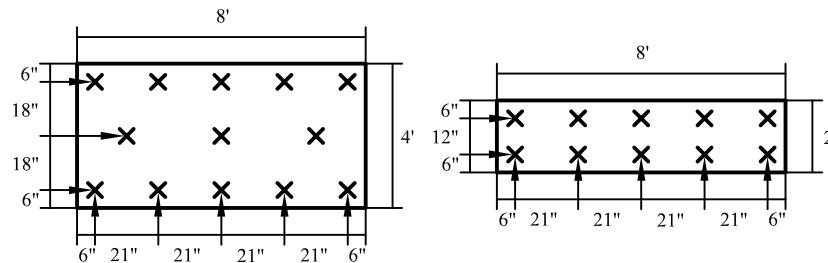


SCREW TERM BAR,
NEW CATCH CLEAT,
OR FASTEN BOTTOM
OF EXISTING GRAVEL
STOP WITH 3" FLAT
HEAD SCREWS,
STAGGERED 6" ON
CENTER. NO NAILS,
SCREWS ONLY

COMPRESSION BOARD AIR SEAL

MINIMUM 1/2" CDX PLYWOOD OR 7/16" OSB BOARD

- A) 2" COMPRESSION BOARD ON BUILDINGS
29' OR LESS IN HEIGHT AND INTERNAL PENETRATIONS
- B) 4" COMPRESSION BOARD ON BUILDINGS
30' OR HIGHER OR 90 MPH OR GREATER WIND RIDERS
FASTENED WITH #14 ROOF SCREWS AND 2" FLAT WASHERS



SEPARATOR OPTIONS:

- 1) 2001 GRAVEL MAT
- 2) 1/2" GYPSUM LOOSE LAID OR DENS DECK
- 3) INSULATION MECHANICALLY
FASTENED WITH 8 FASTENERS
PER 4X8 PANEL AND 4 FASTENERS
PER 4X4 TO KEEP FROM BOWING
- 4) INSULATION LOOSE LAID AND
WEIGHTED IN PLACE WITH 1/2" GYPSUM,
DENS DECK, OR EQUAL

*FOR WIND RIDER OF OVER 60 MPH, VERIFICATION OF EXISTING ROOF ATTACHMENT TO THE DECK IS REQUIRED.
SOME EXISTING ROOFS MAY REQUIRE PERIMETER CORNER AND SUBSTRATE REFASTENING.

© Thomas L. Kelly—Patent Pending

HURRICANE BACKWRAP COMPRESSION BOARD AIR SEAL
UP TO 120 MPH WIND RIDER

325 Thomaston Ave.	Scale: NTS
P.O. Box 2557	DWG #: TP-HCB-100
Waterbury, CT 06702	Rev. Date: 5/24/11
Tele: 1 (800) 537-7663	Rev. #: 6