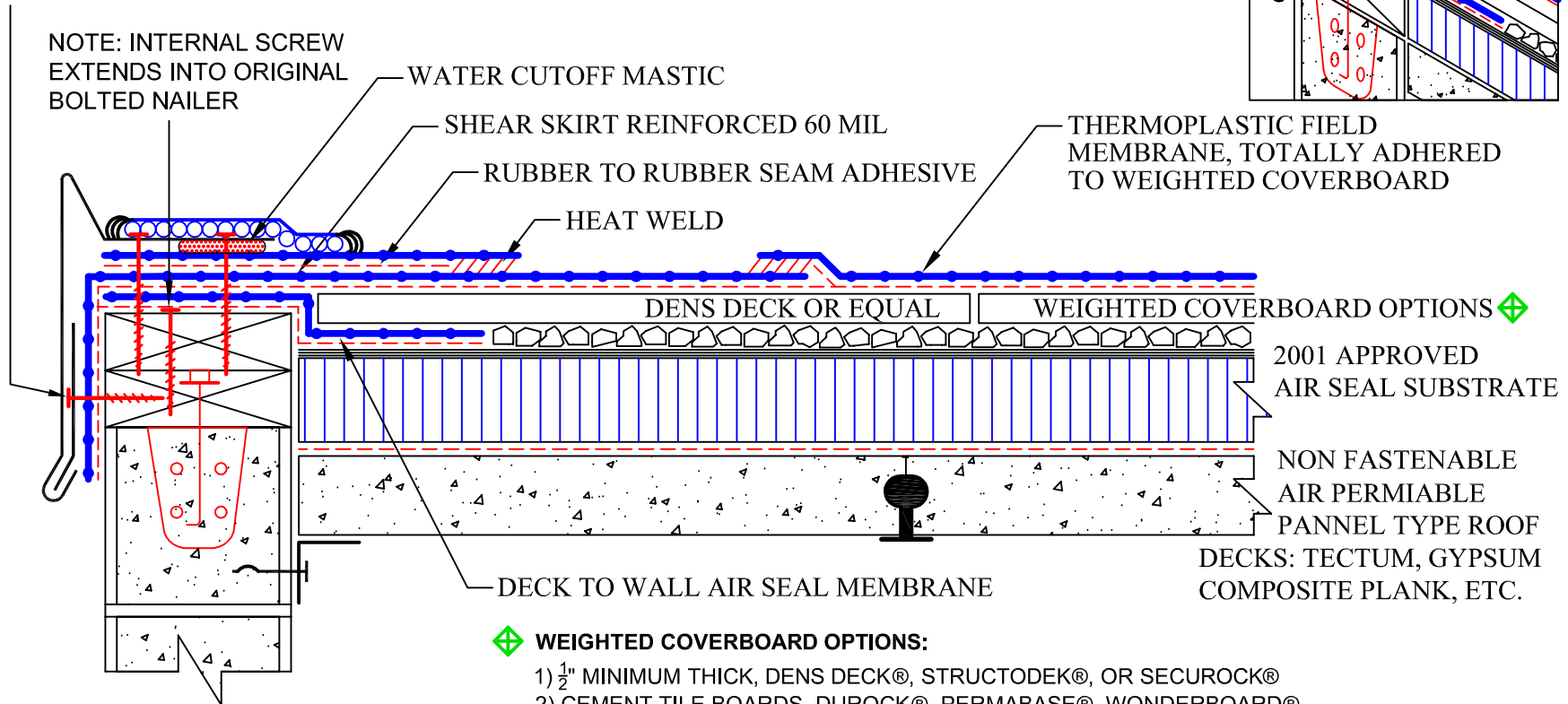
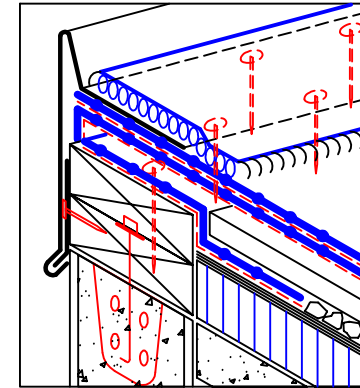


REVERSE BALLASTED SHEAR SKIRT PERIMETER GRAVEL STOP TERMINATION
ON NON FASTENABLE AIR PERMIABLE ROOF DECKS
WITH TPO OR PVC USED TO AIRSEAL
THE WALL TO THE EXISTING ROOF MEMBRANE
UP TO 80 MPH WIND RIDER*

SCREW TERM BAR, NEW CATCH
CLEAT, OR FASTEN BOTTOM
OF EXISTING GRAVEL STOP
WITH 3" FLAT HEAD SCREWS,
STAGGERED 6" ON CENTER.
NO NAILS, SCREWS ONLY.



WEIGHTED COVERBOARD OPTIONS:

- 1) 1/2" MINIMUM THICK, DENS DECK®, STRUCTODEK®, OR SECUROCK®
- 2) CEMENT TILE BOARDS, DUROCK®, PERMABASE®, WONDERBOARD®
- 3) CEMENT TOPPED INSULATION BOARD, LIGHTGUARD®, HEAVYGUARD®

ADDITIONAL INSULATION OPTION: ANY UL APPROVED RIGID ROOF
INSULATION CAN BE LOOSE LAID UNDER THE WEIGHTED COVERBOARD

60 MIL REINFORCED SHEAR SKIRT PERIMETER

- A) 2' REINFORCED SHEAR SKIRTS
ON BUILDINGS 29' OR LESS IN HEIGHT
- B) 3' - 4" REINFORCED SHEAR SKIRTS
ON BUILDINGS 30' OR HIGHER
- C) 2' REINFORCED SHEAR SKIRTS ON
INTERIOR ROOF PENETRATIONS

*FOR WIND RIDERS OVER 60 MPH, VERIFICATION OF EXISTING ROOF ATTACHMENT TO DECK IS REQUIRED.
SOME EXISTING ROOFS MAY REQUIRE PERIMETER AND CORNER SUBSTRATE REFASTENING.
WIND RIDERS OVER 80 MPH ARE AVAILABLE. CONSULT WITH 2001 CO. FOR SPECIFICS.

© Thomas L. Kelly - Patent Pending

SHEAR SKIRT AND DECK TO WALL AIR SEAL MEMBRANE
UP TO 80 MPH WIND RIDER

Scale: NTS

325 Thomaston Ave.

P.O. Box 2557

DWG #: RB-GS-TPO-SS

Waterbury, CT 06702

Rev. Date: 10/26/11

Tele: 1 (800) 537-7663

Rev. #: 7