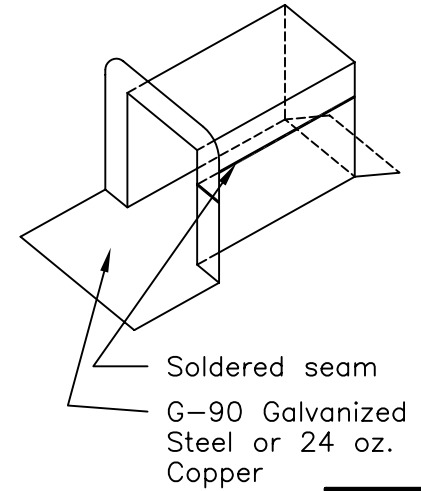
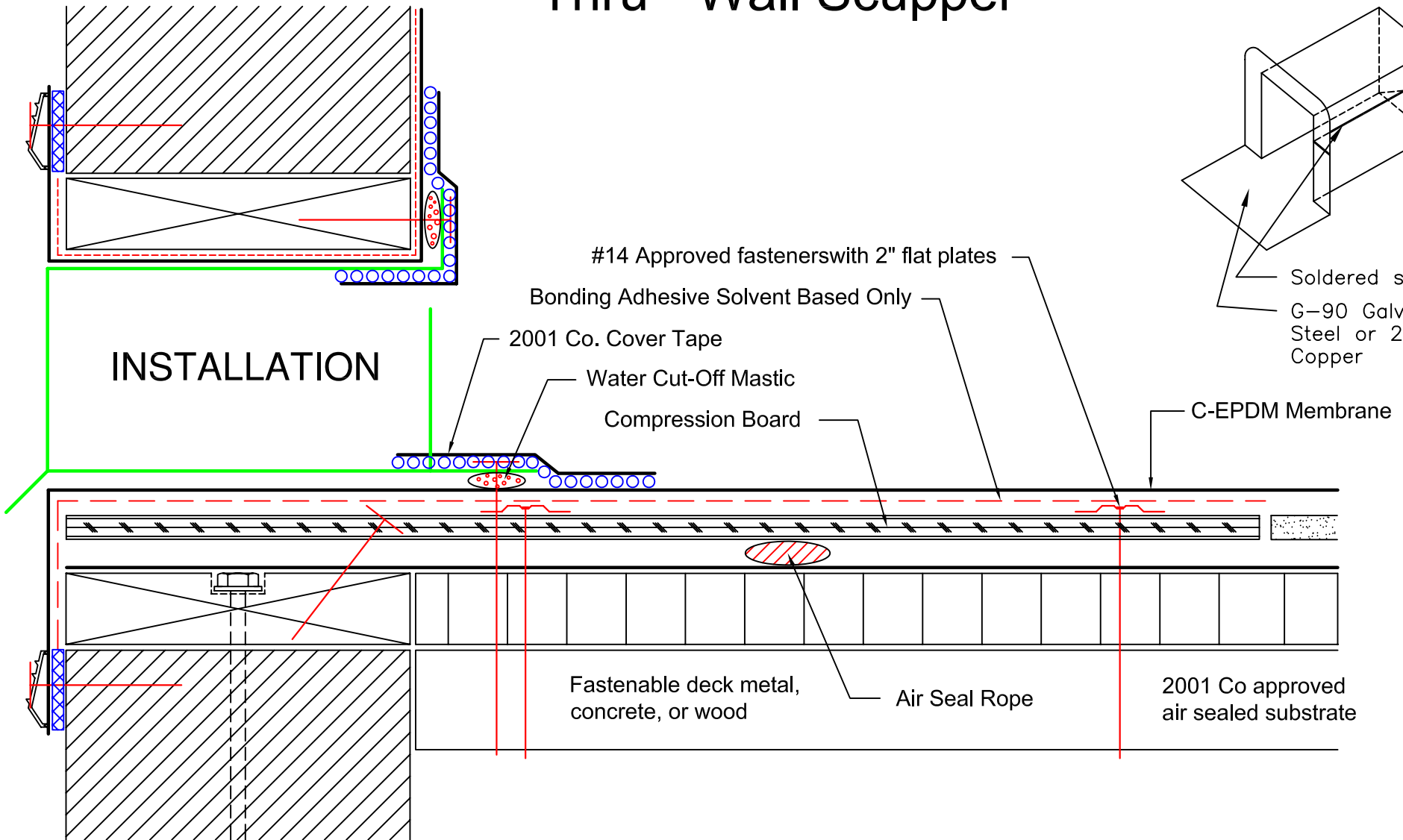


Thru - Wall Scupper

FABRICATION



INSTALLATION



* For greater than 60 MPH Wind Rider, Air Seal details and deck air seal methods must be pre approved by 2001 Company

E - OSB - 201	Drwn by: Anton D Simms
C-EPDM-FD-CB-Scupper-80	
© Thomas L. Kelly - Patent Pending	

325 Thomaston Ave
 P.O. Box 2557
 Waterbury, CT 06702 - 2557
 www.2001company.com

