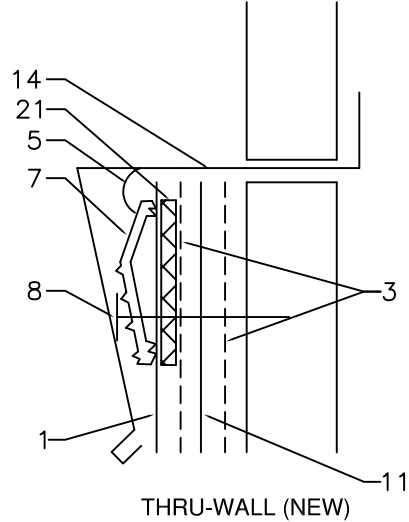
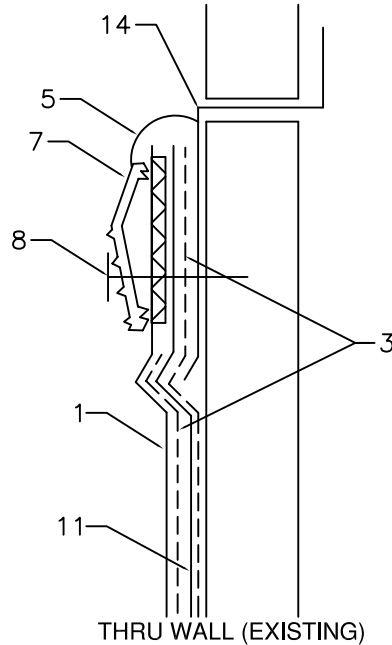


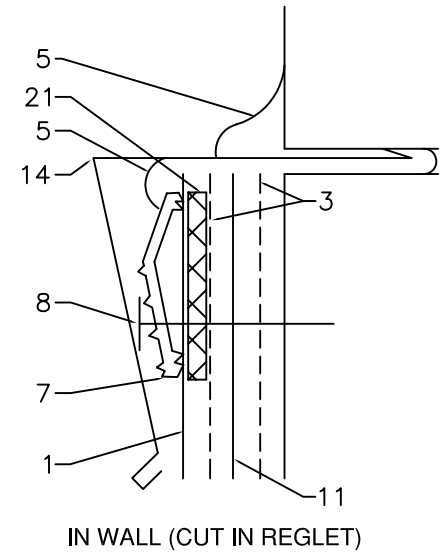
TERMINATION BAR



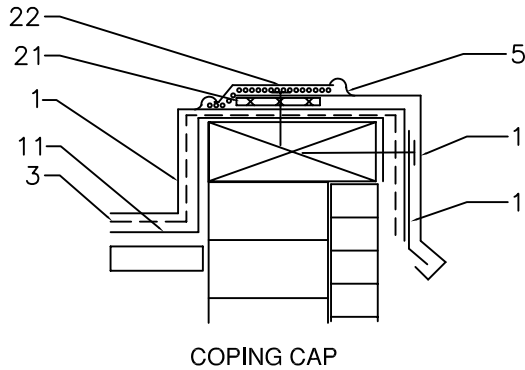
THRU-WALL (NEW)



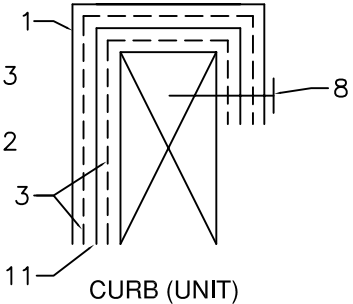
THRU WALL (EXISTING)



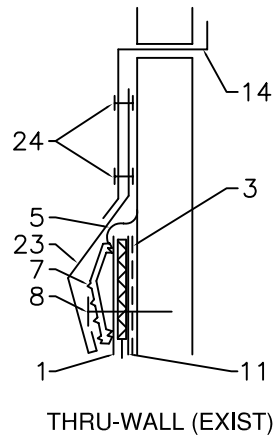
IN WALL (CUT IN REGLET)



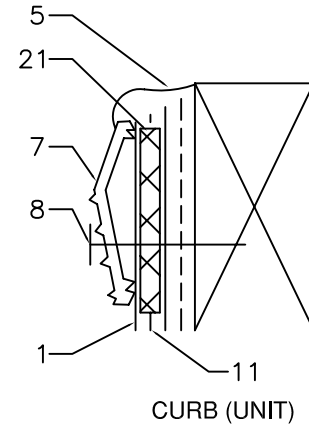
COPING CAP



CURB (UNIT)



THRU-WALL (EXIST)

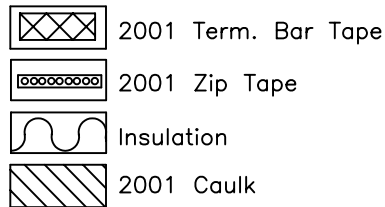
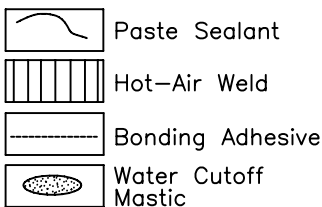


CURB (UNIT)

- KEY
- 1.2001 EPDM,CPA or HYPALON
 - 3.2001 BONDING ADHESIVE
 - 5.2001 PASTE SEALANT
 - 7.2001 TERM. BAR
 - 8.2001 APPROVED FASTENER
 - 11.APPROVED AIR SEAL
 - 12.CONTINUOUS CLEAT
 - 13.COPING CAP
 - 14.COUNTER FLASHING
 - 21.TERM. BAR TAPE
 - 22.7" CURED COVER TAPE
 - 23.METAL EXTENDER
 - 24.POP RIVETS

NOTES:

- 1. Minimum height of base flashing above field membrane is 6" at curb units and 12" at wall terminations.



TITLE:	
Dwg #: COUNTER FLASH'S	Drawn by: SH
Rev. Date: 9-1-99	Approved by:
Dwg. Date:	Scale:

2001 Company

325 Thomaston Ave.
P.O. Box 2557
Waterbury, CT 06702-2557

© Thomas L. Kelly - Patent Pending