

Tapered Plateau Expanded Polystyrene roof Tapering system

United States Patent [19]

[11] Patent Number: 4,642,950

Kelly

[45] Date of Patent: Feb. 17, 1987

- [54] REROOFING WITH SLOPING PLATEAU FORMING INSULATION
- [76] Inventor: Thomas L. Kelly, 50 Randolph Ave., Waterbury, Conn. 06710
- [21] Appl. No.: 247,287
- [22] Filed: Mar. 25, 1981

Related U.S. Application Data

- [63] Continuation of Ser. No. 21,152, Mar. 16, 1979, abandoned.
- [51] Int. Cl.⁴ E04B 7/02
- [52] U.S. Cl. 52/90; 52/309.8; 52/408
- [58] Field of Search 52/90, 309.8, 408, 409

References Cited

U.S. PATENT DOCUMENTS

- 3,045,293 7/1962 Potchen 52/309.8
- 3,511,008 5/1970 Grems et al. 52/309.8

FOREIGN PATENT DOCUMENTS

- 1509131 3/1969 Fed. Rep. of Germany 52/90
- 2301655 9/1976 France 52/90

Primary Examiner—Carl D. Friedman
Attorney, Agent, or Firm—Hayes & Reinsmith

[57] ABSTRACT

An arrangement and system is provided for creating a

sloping roof out of a flat roof and also of providing said sloping roof with slopes which merge into plateaus.

This roof has been so designed that it consists of a plurality of insulation blocks or sheets, some of which may be tapered and some of which may be provided with plane surfaces and the uppermost elements of the courses of insulation sheets are of laminated construction consisting of a styropore block which may be either tapered or of plane configuration, and these blocks are of laminate construction with a substantially 1/2" fiberboard. As is well-known in this art, the usual insulation block or sheet may be formed of styrofoam which will not accept an adhesive, and the heat from hot tar or the like which may be used in the construction of roofs may cause the styrofoam insulation sheets to disintegrate. Styropore blocks will not be affected by the heat generated by hot tar applications to the roof. It is also a fact that the use of styropore insulation sheets, instead of styrofoam insulation sheets, results in tremendous economies. An adhesive has been developed which will be accepted by styropore and because of this I am enabled to use the styropore elements to which the laminate of fiberboard is adhesively secured. The invention also involves a novel arrangement whereby a filler is provided in order to stagger the loose underlaid sheets which one skilled in this art will appreciate the advantages of this arrangement.

6 Claims, 12 Drawing Figures

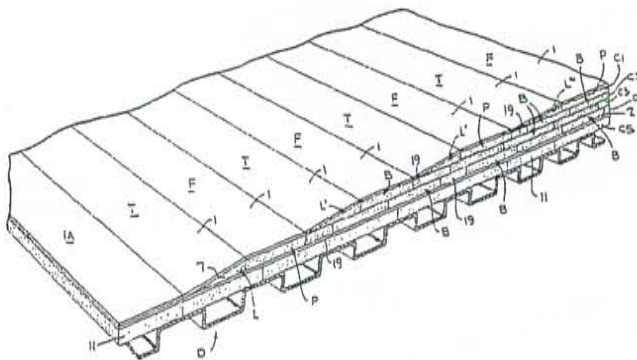


FIG. 1A

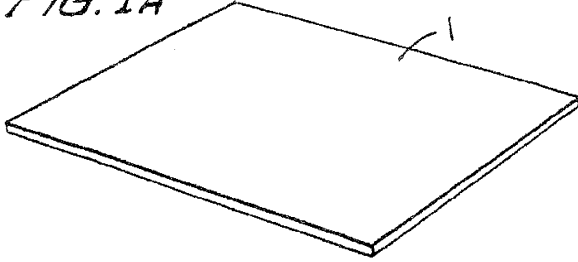


FIG. 1B

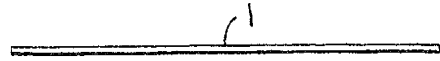


FIG. 2A

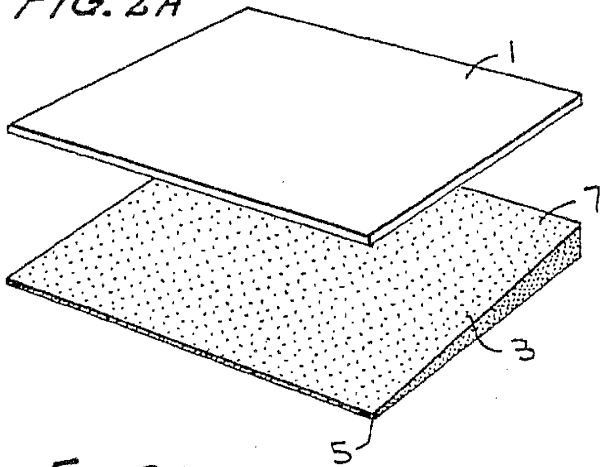


FIG. 2B

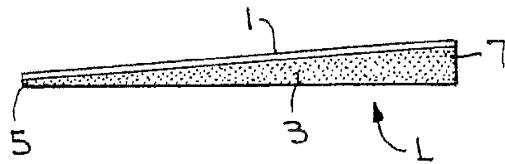


FIG. 3A

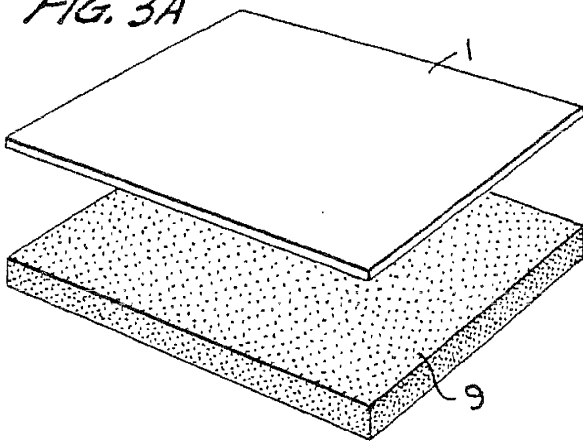


FIG. 3B

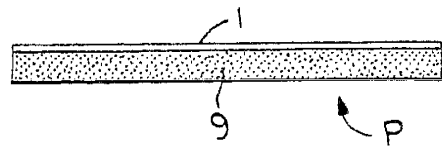


FIG. 4B

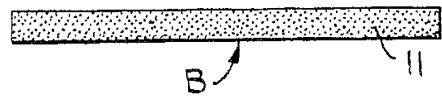


FIG. 4A

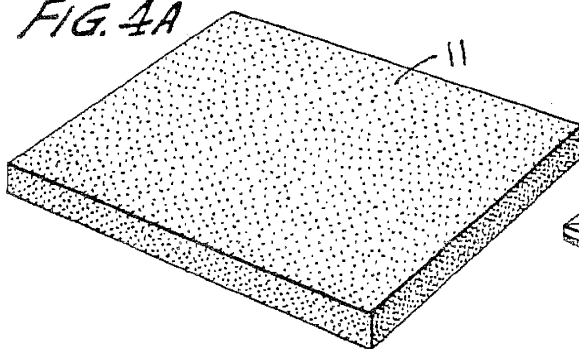
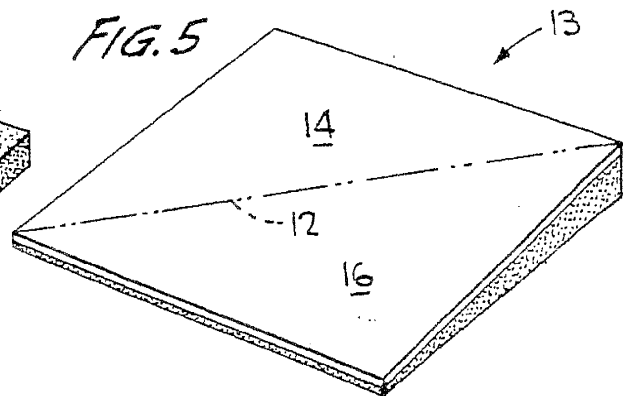


FIG. 5



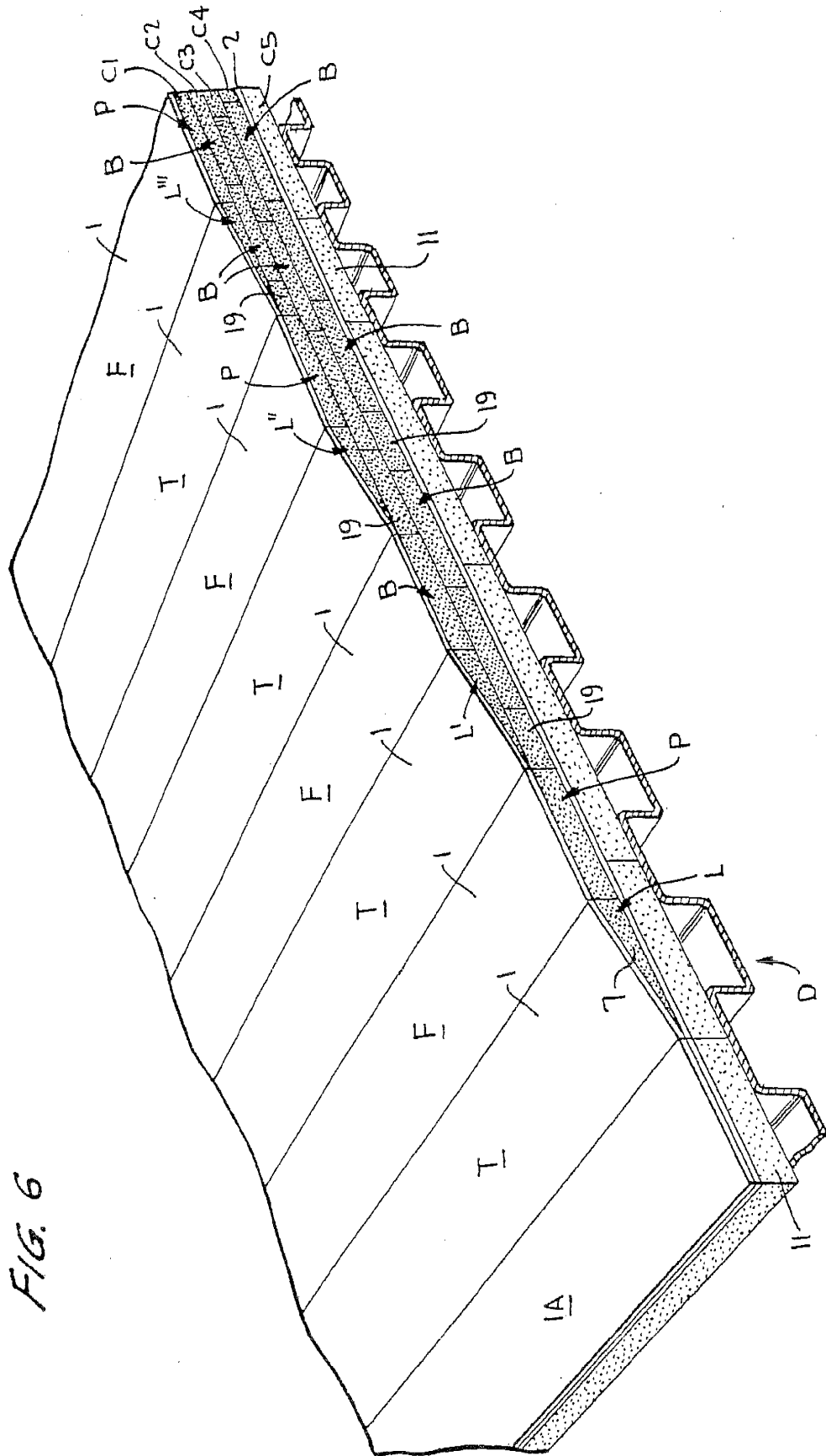
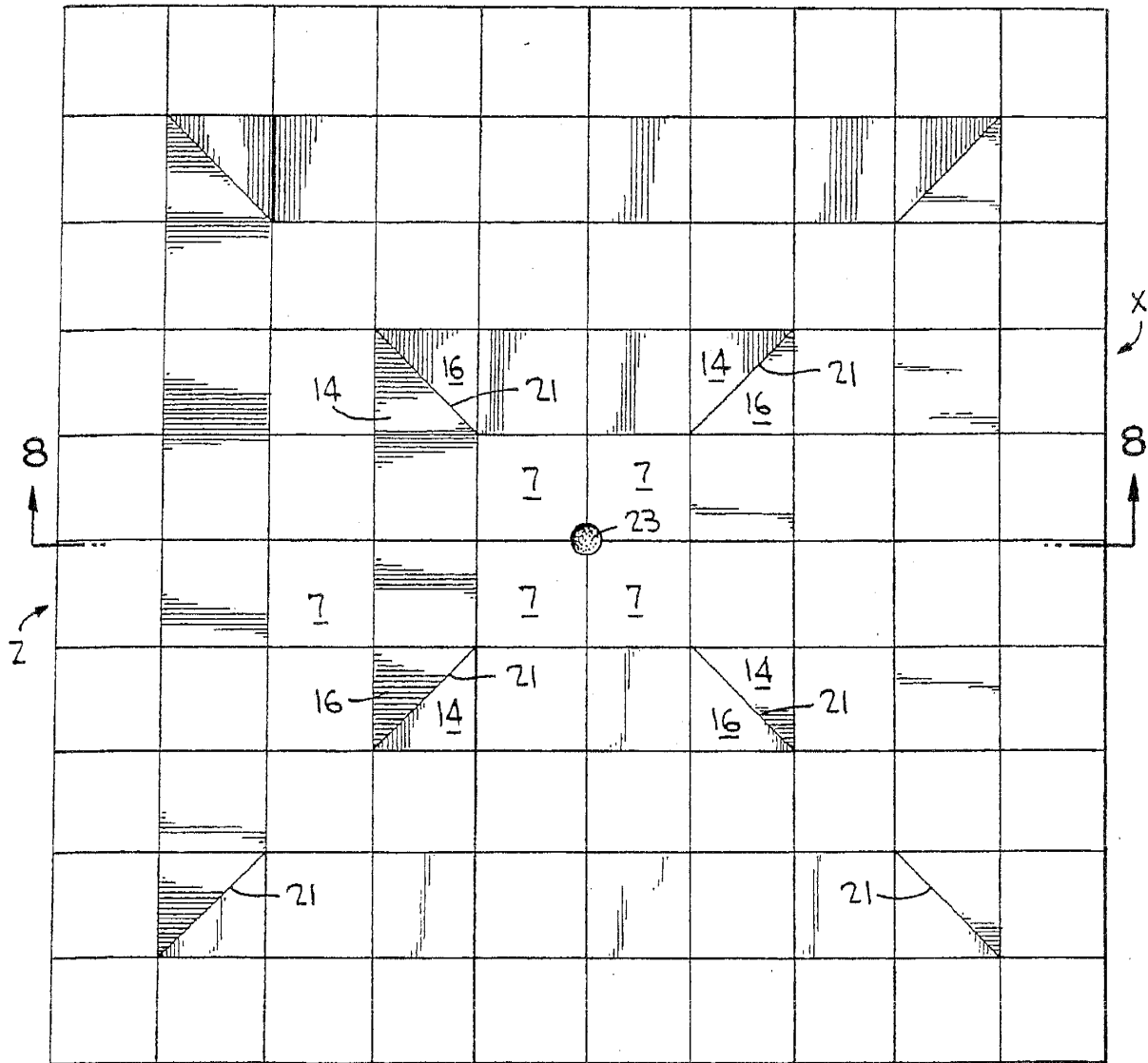


FIG. 6

FIG. 7



Y

FIG. 8

